



# Frac Pump Parts

## 12x12 – Suction Pump

### STAINLESS STEEL IMPELLER

Tougher material and increased thickness at key wear points greatly extend the life cycle of the pump. A full stainless steel version of the pump is available on request.

### SEALED BEARINGS

The 12x12 Suction Pump features sealed bearings – saving our customers from the worry of oil leakage from the bearing housing.

### 24/7/365 SERVICE

Our customers are our main priority, and we pride ourselves on the customer service levels we provide.

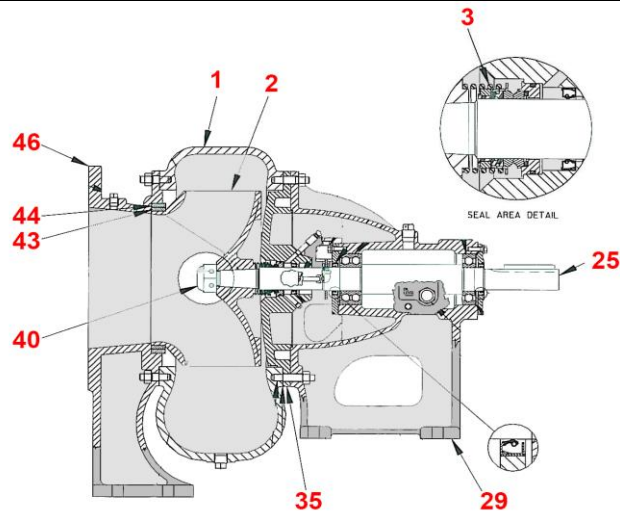
For more information on the 12x12 Suction Pump or any of our other pumps, feel free to contact us:

www.fracpumpparts.com  
sales@fracpumpparts.com  
(775)-55-PUMPS



- **Stainless Steel Impeller**
- **Impeller Wear Ring cast directly into Impeller**
- **Increased thickness at wear points**

Item Number	Part Name	Material
<b>1</b>	Pump Casing	Cast Iron
<b>2</b>	Impeller	CD4MCu
<b>3</b>	Seal Assembly	Silicon vs Carbon
<b>25</b>	Impeller Shaft	Steel
<b>29</b>	Pedestal Body	Cast Iron
<b>35</b>	Seal Plate	Cast Iron
<b>40</b>	Shaft Nut	CD4MCu
<b>43</b>	Wear Ring	Stainless Steel
<b>44</b>	Wear Ring	Brass
<b>46</b>	Suction Head	Cast Iron



### Frac Pump Parts

sales@fracpumpparts.com | (775)-55-PUMPS